



141-DC30,DC40

Easy power feeder

Operating instructions



Distributor:

IGM nástroje a stroje s.r.o.
Ke Kopanině 560, 252 67, Tuchoměřice
Czech Republic, EU
Phone: +420 220 950 910
E-mail: sales@igmtools.com
Website: www.igmtools.com

2022-07-11

141-DC30,DC40 IGM Easy Power Feeder Manual EN v2.7.00 A4ob



Operating instructions EN

Please read this manual thoroughly and follow the safety instructions in it! Technical changes and printing errors reserved!

Dear customer,
This manual contains important instructions and information for the installation and proper use of DC30 and DC40 Power feeders.

This manual is a part of the machine and therefore it should not be kept elsewhere than in the vicinity of the machine so that you can be consulted at any time by you or other persons operating the machine.



Please read and follow the safety instructions!

Carefully read these instructions before using the machine. Operation of the machine will be simpler and you will also lower the risk of injury while eliminating the probability of incorrect operation and possible damage to the machine. Because of our policy of constant improvement, the design, construction or pictures may differ slightly. Should you discover any mistakes, please contact us at podpora@igm.cz.

TABLE OF CONTENTS	page		
1. DECLARATION OF CONFORMITY	2	5.2.2. Assembly	5
2. WARRANTY SERVICE	3	5.3 Electrical connection	6
3. SAFETY INSTRUCTIONS	3	6. SET-UP AND ADJUSTMENT	6
3.1 Notice	3	6.1 Basic movements of the feeder	6
3.2 General safety instructions	3	6.1.1 Feeding from the side	6
3.3 Risks	4	6.1.2 Feeding at an angle	6
3.4 Important notice	4	6.2 Control panel features	7
3.5 Safety rules	4	7. OPERATING THE MACHINE	7
4. SPECIFICATIONS OF THE MACHINE	4	8. MAINTENANCE AND CONTROL	7
4.1 Machine description	4	8.1 Replacing rollers	7
4.2 Technical data	4	8.2 Greasing	7
4.3 The package includes	4	8.3 Transmission fluid replacement	8
5. TRANSPORT, UNPACKING AND ASSEMBLY	5	9. MALFUNCTION ASSISTANCE	8
5.1 Transport and unpacking	5	9.1 Error messages	8
5.2 Assembly	5	10. PROTECTION OF THE ENVIRONMENT	8
5.2.1 Fastening to a machine	5	11. ACCESSORIES (SPARE PARTS)	8

1. DECLARATION OF CONFORMITY

The undersigned: IGM nástroje a stroje s.r.o.
Address: Ke Kopanině 560
Tuchoměřice, Praha-západ, PSČ 252 67
Czech Republic, EU
Tel. +420 220 950 910

Certifies

Product: Power Feeder
Model: **DC30** and **DC40**

Manufacturer: CO-MATIC Machinery Co., Ltd., No.
473-16,
San Feng Road, Houli District, Taichung
City, Taiwan, R.O.C. 42156

We declare under our sole responsibility that the product described in this manual is in conformity with the following standards: EN ISO 12100, EN ISO 13857, EN 349, EN 953, EN 60204-1, EN ISO 11202,

EN 55014-1, EN 55014-2 podle s ustanoveními směrnic 2006/42/EC, 2004/108/EC, 2006/95/EC, 2002/95/EC.

Signed: Ivo Mlej
Managing Director



2. WARRANTY SERVICE

The warranty is subject to Terms and Conditions and Warranty Conditions of IGM nástroje a stroje s.r.o., the current version of which are available at www.igmtools.com.

3. SAFETY INSTRUCTIONS

3.1 Notice

This machine is designed for work with wood and wooden materials.
Proper use also includes compliance with the regular operational and maintenance work described in this manual.

The machine can be operated only by persons familiar with the operation procedures, maintenance and are aware of potential risks involved.

Comply with the minimum age limits specified by law. The machine may only be used when in perfect technical condition.

All safety and protective components must be installed when operating the machine.

Besides these instructions, also adhere to the safety instructions of your country and to the generally recognized technical practices concerning the operation of woodworking machinery.

The manufacturer or the supplier is not responsible for any damage resulting from improper use. Every user is responsible for their own actions.

The warranty cannot be claimed if any of the following principles are broken:

- Unsuitable work environment: high humidity, contamination.
- Damage caused by an improper assembly and/or improper storage.
- Use of damaged machinery.
- Failure to follow the operating instructions: transport, storage, assembly, putting into operation, cleaning and maintenance of the machine.
- Use of unauthorized spare parts.

3.2 General safety instructions

The machine can pose danger when improperly operated.

Completely read the operating instructions before working with the machine and follow all the instructions in this manual.

Keep this user manual clean and protect it from dirt and moisture; in case of re-selling, pass the manual onto the new owner.

Any alterations or changes to the machine are prohibited.

Daily try out if the machine runs smoothly and check the function of protective covers before operating the machine. Replace any deficiencies and immediately remove any damaged parts like covers.

The machine may only be used when in perfect technical condition.

Use a hairnet or a hat to protect long hair. Wear tight-fitting clothes, remove all bracelets, rings, necklaces or ties. Wear work boots only, do not wear casual shoes or sandals during work. Abide by the regulations for personal protection.

Always wear safety eyewear. Always use hearing protection. The tools are sharp and can cause severe injury, use them with care.

Keep in mind the necessary space for operation when installing and positioning the machine. The machine must stand on a stable surface and must be adequately lit.

Always use respiratory protection when working in a dusty environment.

Make sure you have good lighting.

Make sure the power cord is not in your way when working. Keep your work area clean. Never touch the machine when it's running.

Make sure you are concentrating and paying attention. Use caution. Never work under the influence of drugs and/or alcohol.

Make sure there are no children around when working with the machine.

Operating instructions EN

Never leave the machine unattended. Always switch the machine off when leaving the workspace.

Watch your fingers and other body parts when working. Never walk away from a machine without protective guards.

Do not place anything on the machine.

Electrical connections malfunctions can be repaired by an electrician only. Damaged electric cord must be replaced immediately.

Any adjustments and maintenance may be carried out when the machine is disconnected from the power source.

3.3 Risks

Risks may arise even during proper and prescribed use of the machine.

The danger of a workpiece flying off. Beware of noise and dust.

Wear eye, ear and dust protection.

Use a suitable dust extraction device! Watch out for damaged electrical cords.

3.4 Important notice

Only use the feeder in an appropriate environment.

Keep your workspace well ventilated and lighted, avoid wet or damp environments.

Only operate the machines under temperatures ranging from +5°to +40°C. Humidity from 30% to 95%.

3.5 Safety rules

The tool must reach working speed before feeding. Do not overload the machine by feeding material too quickly.

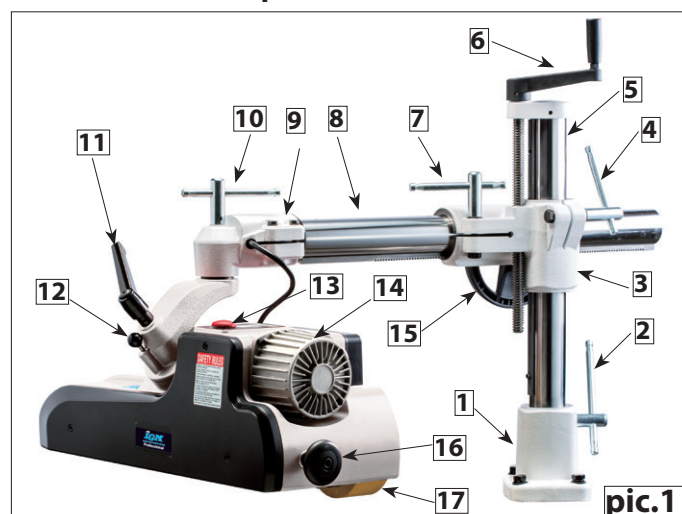
ALWAYS keep your hands away from rotating parts. Provide additional support and stability for larger workpieces.

Always switch off the feeder first, only then switch off the machine that is being fed material.

Always disconnect the power cord before any repairs or adjustments.

4. SPECIFICATIONS OF THE MACHINE

4.1 Machine description



- 1 base
- 2 locking lever (turning)
- 3 height-adjustable arm
- 4 locking lever (height adjustment)
- 5 stand
- 6 height control (turning alters height)
- 7 locking lever (protrusion)
- 8 feeder arm
- 9 screws (positioning joint)
- 10 locking lever (turning)
- 11 locking lever (angle of the feeder)
- 12 angle locking pin
- 13 control display
- 14 motor
- 15 control wheel of arm protrusion (turning moves the arm)
- 16 feeder grip
- 17 roller

4.2 Technical data

Type	DC30	DC40
Motor power (400V)	500W	500W
Arm reach	460mm	460mm
Max. workpiece height	250mm	250mm
No. of rollers	3	4
Size of rollers	120x60mm	120x60mm
Feed speed	2-22m/min	2-22m/min
Weight with stand	53kg	56kg

4.3 The package includes

- feeder
- feeder stand arm
- quick adjustment joint
- plan for base drilling 1:1 manual

5. TRANSPORT, UNPACKING AND ASSEMBLY

5.1 Transport and unpacking

The machine is not assembled due to transport. Remove the feeder from the packaging and place on a flat surface. Check for any apparent transport damages, these could damage the machine or your health.

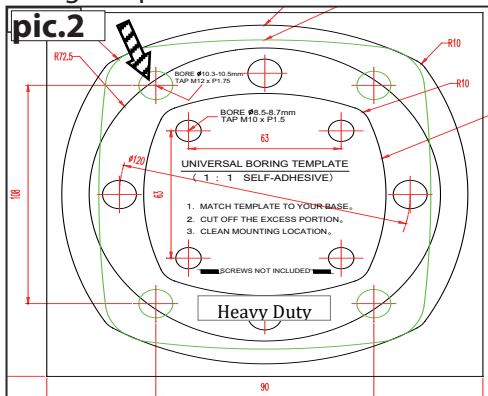
5.2 Assembly

We recommend to greasing the metal parts before assembly.

5.2.1 Fastening to a machine

- Mounting the base. The feeder is supplied with a 1:1 template that facilitates the mounting of the feeder onto a base.

1. Unpack the feeder base and adjust it according to the mounting template.

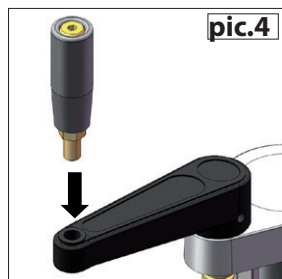
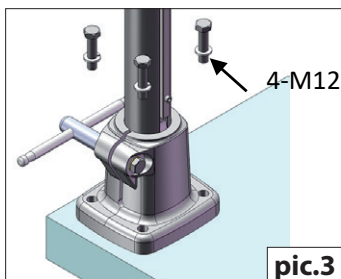


2. Prepare 4 bolts and spring washers (not included). Bolt size - M10, length = feeder base (thickness) + table top (thickness)

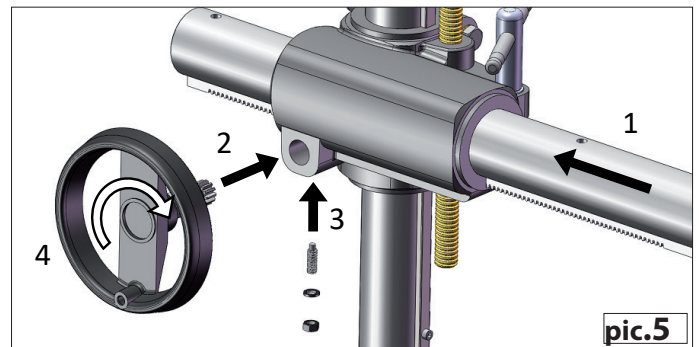
3. Select position of the base to avoid ribbing on the bottom of the table.

5.2.2. Assembly

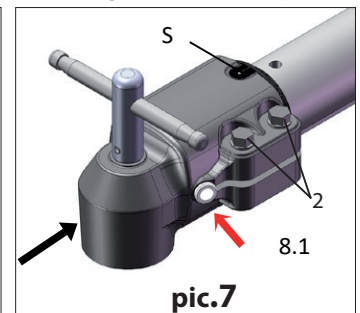
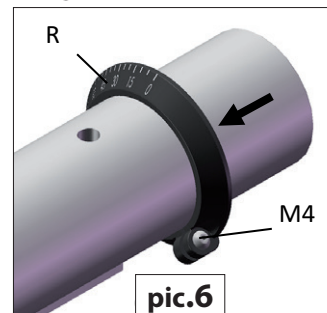
- Fasten the base of the feeder to the table top using four M12 bolts, place the stand into the base. Screw the handle into the lever using the nut under the handle.



Insert the arm (1, pic.5) into the height-adjustable holder. Mount the control wheel 4 so that the pinion 2 fits into the teeth of the feeding comb. Screw the locking screw 3 from the bottom side and tighten with a contra nut against the screw.(pic.5) Insert the scale ring (R, pic.6) on the arm of the feeder and slide further away from the edge. Insert the cable into the

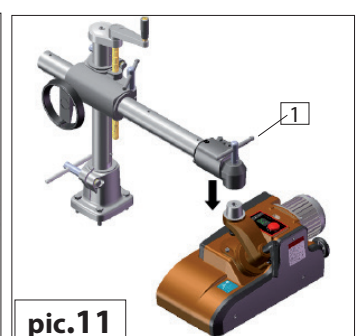
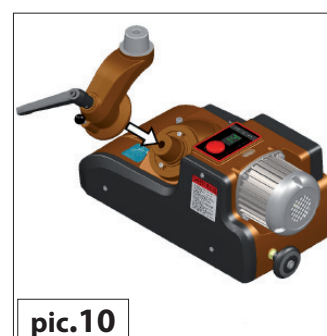
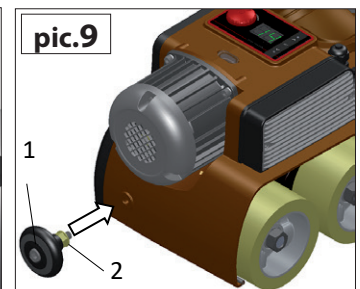
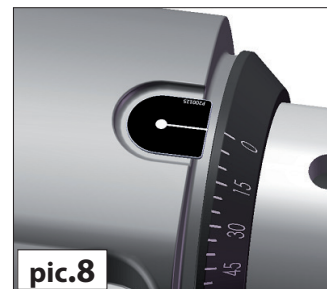


opening on the side of the arm (8.1, pic.7). Insert the cable into the sleeve up to the double insulation. It's necessary to take the cable apart from the terminal plate - **Only an electrician with a proper permission is allowed to do that.** Mount the joint end and so far tighten only with one screw. De-grease the surface with rubbing alcohol and put



on the sticker with a scale (S, pic.7 and 8).

Mount the handle (1, pic.9) into the feeder but don't tighten too much, it should rotate. Mount the positioning joint onto the pin on the feeder and screw in using the locking lever. (pic.10) Place the feeder on your workbench. Move the joint end towards the pin screwed into the arm. Mount on the pin and tighten the locking lever (1, pic.11). Tighten the screws on the joint ending (2, pic.7).



Operating instructions EN

5.3 Electrical connection

WARNING: Make sure the electrical connection corresponds to the motor specification (see engine cover.) **WARNING:** Make sure the switch is in the „OFF“ position before turning on the feeder.

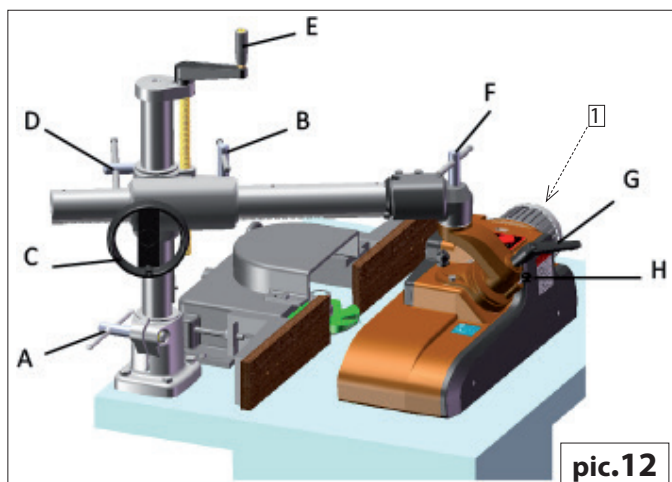
A power feeder is an auxiliary machine that cooperates with your spindle moulder, table saw or a planer.

If you need to use an extension cord; use a 18AWG x 4C when not exceeding 5 metres and a 16AWG x 4C when over 5 metres.

6. SET-UP AND ADJUSTMENT

- Place a 3-4 mm high pad under the output roller and slowly run the feeder down until the input roller lies on the surface and the output roller is touching the pad. Now tighten the screws (K, pic.13) and set the scale ring to zero. Tighten the locking pin (H), this secures stronger downforce on the infeed roller.

6.1 Basic movements of the feeder



- For rotation around the axis of the base: release lever (A), and turn the feeder to the requested position.



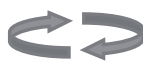
- To extend or compress the arm of the feeder: release the lever (B) and rotate (C).



- To alter the height: release the lever (D) and turn the handle (E).



- To rotate the feeder: release the lever (F) and turn the whole feeder.



- To adjust the angle of the feeder: release lever (G). Pull out the locking pin (H) and use a handle (1, pic.9) to turn the feeder.

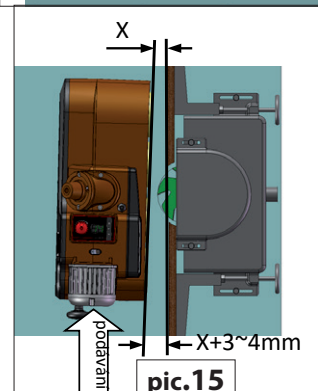
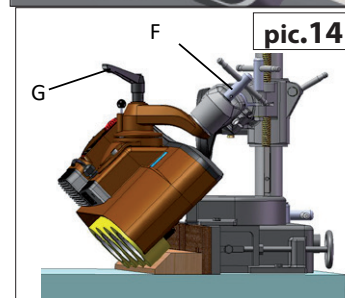
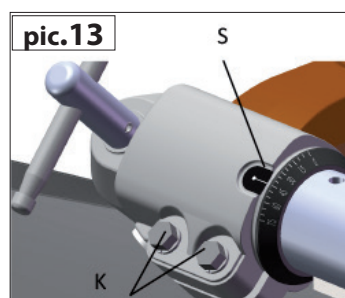


6.1.1 Feeding from the side

- Release the locking lever (A) and turn the feeder off the workbench.
 - Release the lever (H), grab the handle of the feeder and lift the locking pin, turn the feeder to a vertical position. Turn it back on the workbench and tighten all the levers.
 - The workpiece must be leaning on a guiding fence when feeding. The rollers must push the workpiece against the fence. The difference between the distance of the feeder and the fence should be greater on the infeed roller by 3-4 mm than on the outfeed roller (pic. 15).

6.1.2 Feeding at an angle

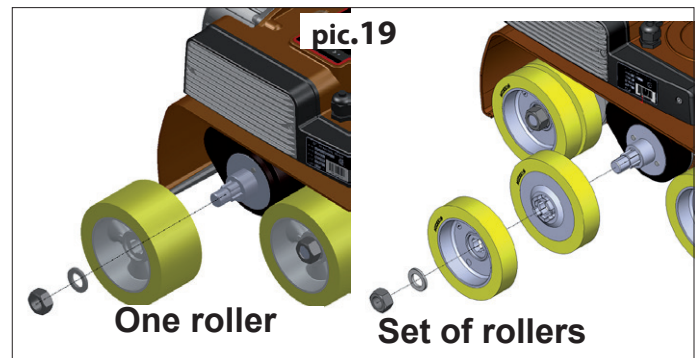
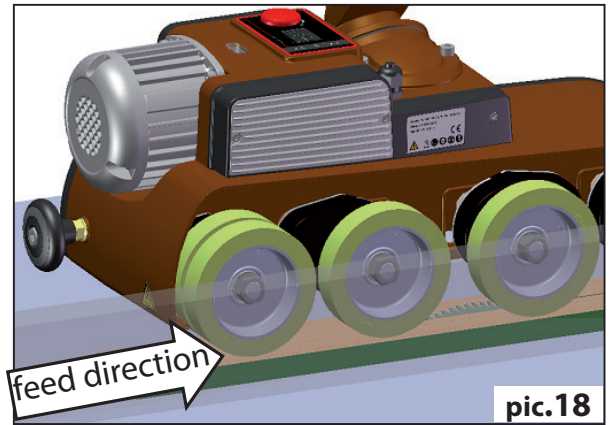
- Release the locking lever (A) and turn the feeder off the workbench.
 - Release screws (K) on the end of the arm, turn the positioning joint and set up the required angle (S), and then tighten screws (K). (pic.13)
 - Release levers (F and G), pull out the locking pin and align the feed so that all rollers are in the same height over the workbench, then tighten all the levers (pic. 14).
 - The workpiece must be leaning on a guiding fence when feeding. The rollers must push the workpiece against the fence. The difference between the distance of the feeder and the fence should be greater on the infeed roller by 3-4 mm than on the outfeed roller (pic. 15).



6.2 Control panel features



1	Switch and feed speed	Speed in the range of 2-22 m/min Press to turn the feed on and off
2	Settings button	Press to set up the desired feed speed
3	Feed direction button	Change of feed direction during work: press the direction button twice. The opposite direction will run at the lowest speed. Press the on/off switch twice for the original setting.
4		



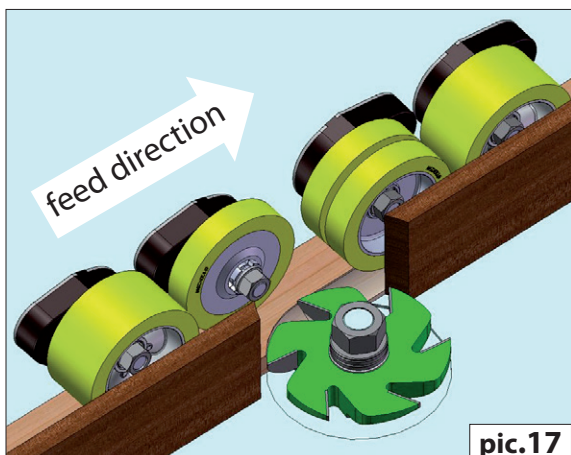
7. OPERATING THE MACHINE

After switching the machine on, let the feeder reach its full speed before feeding any material.

8. MAINTENANCE AND CONTROL

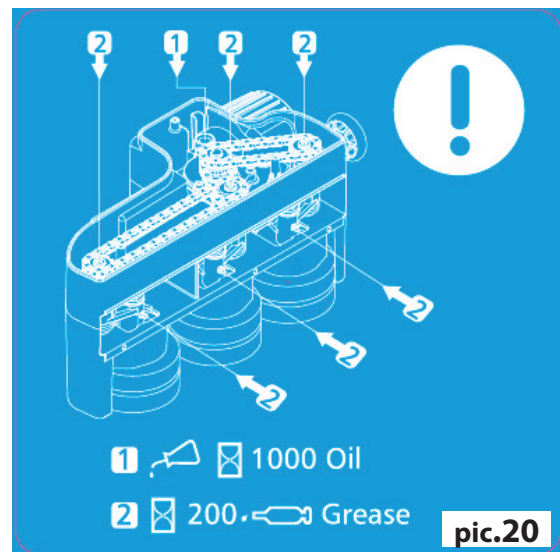
8.1 Replacing rollers

- You can choose out of two types of rollers: Ø120 x 60 mm (141-R12060) and Ø120 x 25 mm (141-R12025).
- The outfeed roller can be removed when working with larger routers (pic.17).
- The infeed roller can be removed to avoid contact of the saw blade with the feeder (pic.18).
- Use various roller combinations for different conditions and operations.



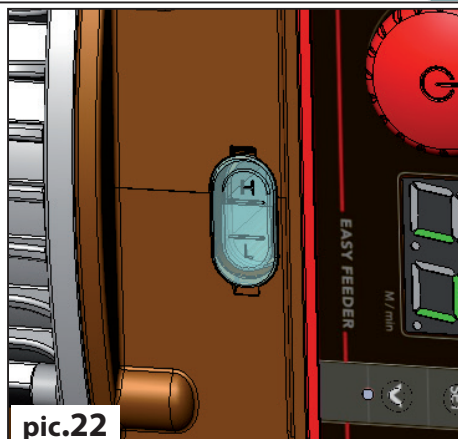
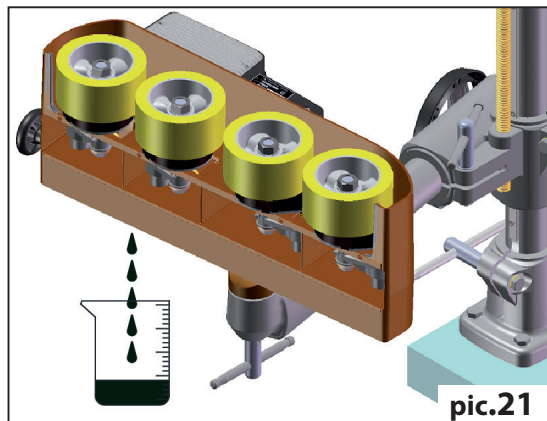
8.2 Greasing

- The wheels and chains should be greased every 200 hours or 30 days using a grease gun, see section 2, the location of grease on the displayed label (pic.20).
- Gears and chains: grease regularly.
- Recommended greases: (Shell – Alvania Grease R2, SHELL GADUS S2 V220 2, MOBILUX EP 2; FUCHS RENOLIT EP 2; BP ENERGREASE MM-EP 2 and other)



Operating instructions EN

8.3 Transmission fluid replacement



- Oil change after 200 hours of operation (30 days) of a new machine. Afterwards, replace oil every 1000 hours (6 months). The mentioned horizon is based on the assumption of an everyday 8-hour service.
- The oil indicator is next to the display. Put the feeder to the displayed position (see pic.22) to see the oil status.
- Rotate the feeder away from your workbench into free space, open the cover, turn the feeder upside down, release the oil cap and let some oil out. When all the oil is gone, place the feeder to a vertical position and pour in the transmission fluid according to the oil indicator.
- Recommended gear oil: MOBIL Mobilgear 630, Shell/Omala 150 BP, Energol GR-XP 150, and other equivalents.
- Clean the machine after every use (dust, shavings etc.).

9. MALFUNCTION ASSISTANCE

9.1 Error messages

- E1** - Motor will not start: Check that there isn't anything stuck in the feeder.
- E2** - Drive mechanism temperature is too high.
- E3** - Engine temperature is too high.

- After removing a probable malfunction - restart the main switch.
- If you are not sure why a problem occurred, please contact technical support.

10. PROTECTION OF THE ENVIRONMENT

Protect the environment.

Your machine contains materials that can be recycled. Please, let specialized institutions handle the machine.

11. ACCESSORIES (SPARE PARTS)

IGM Spare roller D120x60 for DC30-DC40 Feeders
141-R12060

IGM Narrow spare roller D120x25 for DC30-DC40 Feeders

141-R12025

IGM Swivel Cone Kit 0 - 90° set for Feeders DC30-DC40
141-KS